

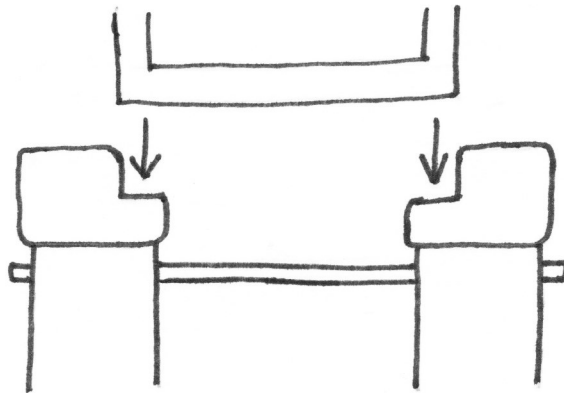


P.O. Box 509  
Vader, Washington 98593  
USA

Tel: 360-295-3856  
Fax: 360-295-3287  
[www.mtnloom.com](http://www.mtnloom.com)

## LOOM STAND INSTRUCTIONS

jea/0999



Loom sits on ledge along top of leg frames.

Stop blocks on ledge keep castle from sliding off stand.

